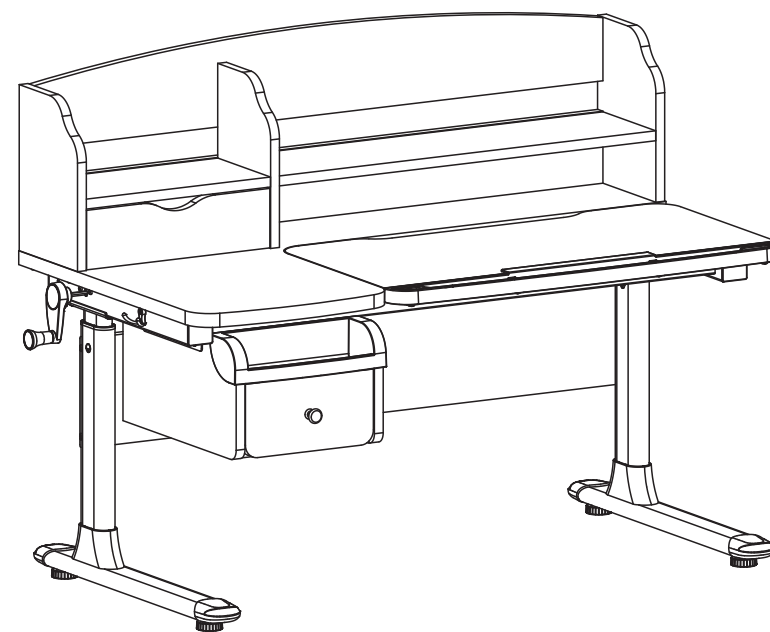




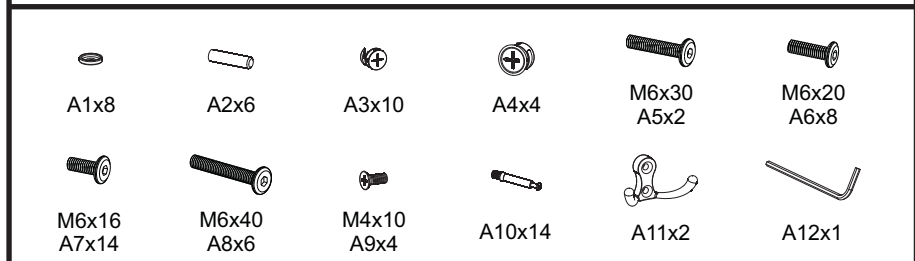
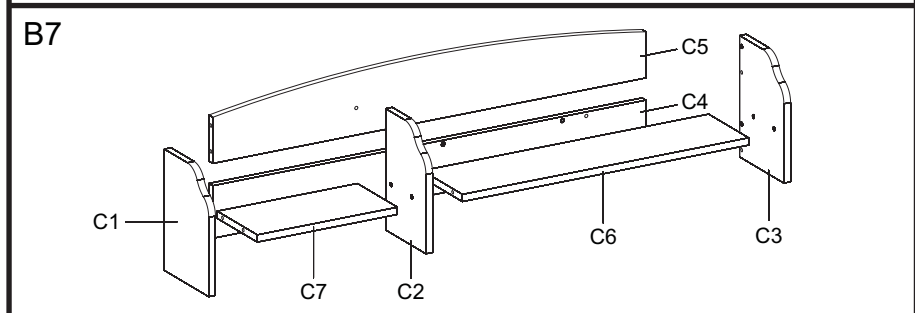
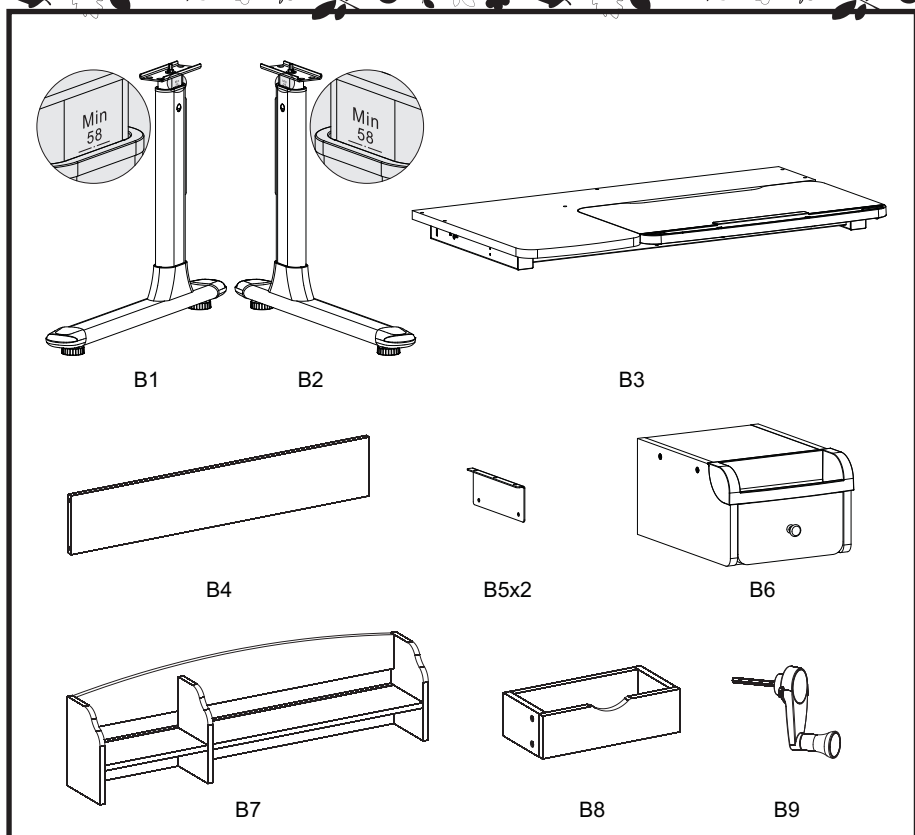
FUN DESK

Model NO.: Sognare



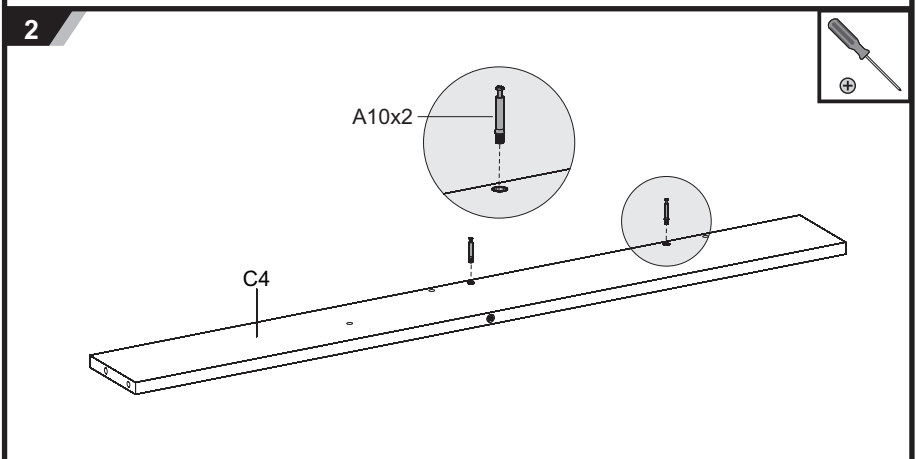
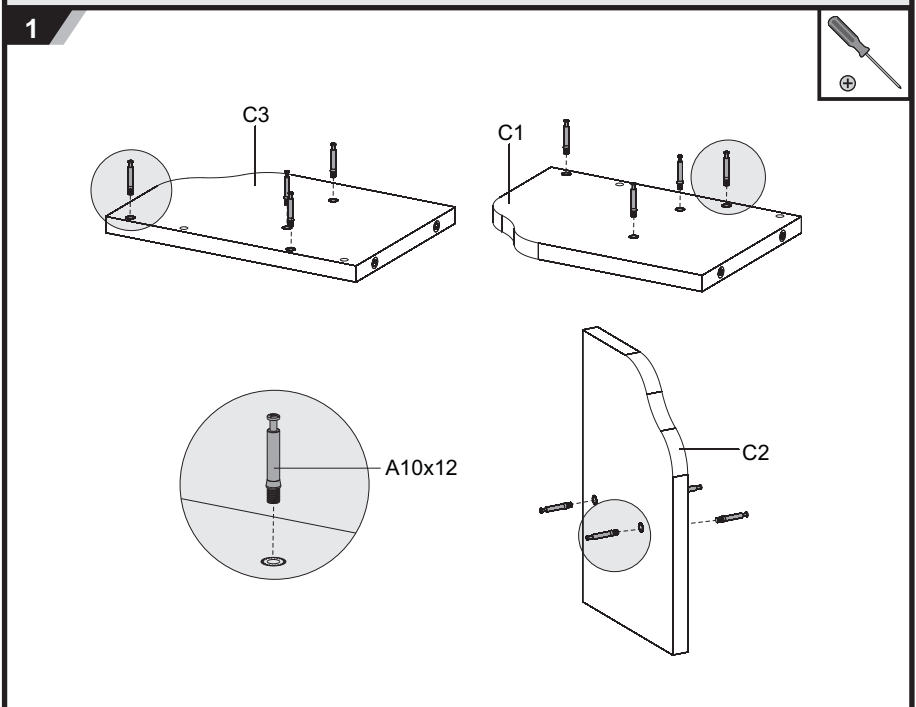
Healthy Ergo Study Desk

ASSEMBLY INSTRUCTIONS



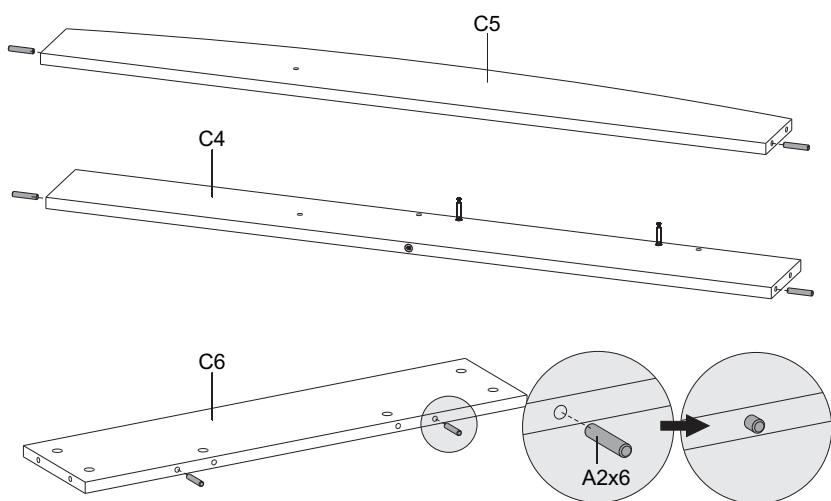
CAUTION!

1. This product is intended for indoor use only.
2. This product should be placed on the flat ground.
3. Once water, oil and other liquid adhere to the surface of product, you should quickly wipe it clean.
4. Please regularly check and fasten joint parts in case of product shake and loosening.
5. Do not lay product in place of the corrosive gas and moisture in case of surface damage.
6. Never fasten screws tightly before all screws fixed to the right place.
7. Please use damp cloth to clean the chair.



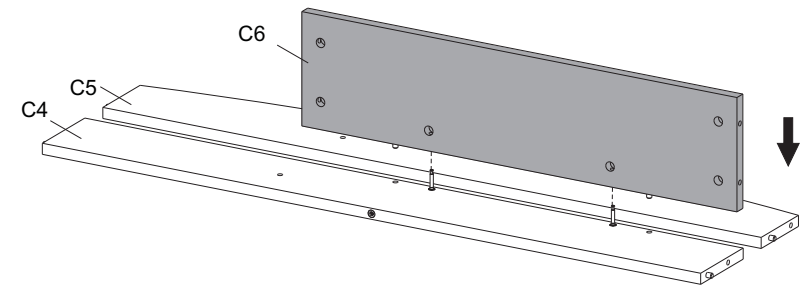


3

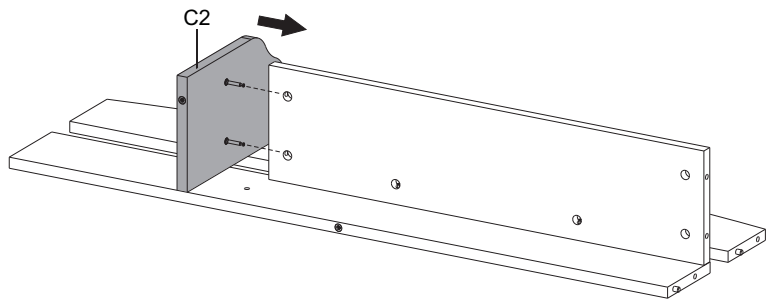


4

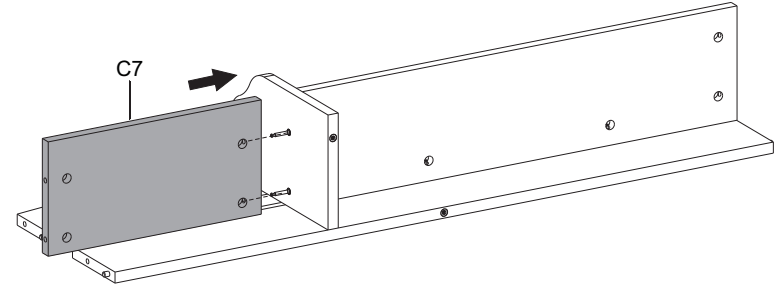
Attention: For "C5", one side is with hole and the other is without. The side without hole is upward in this step

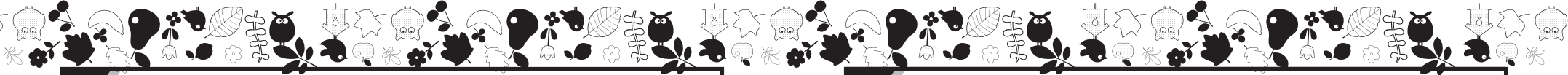


5

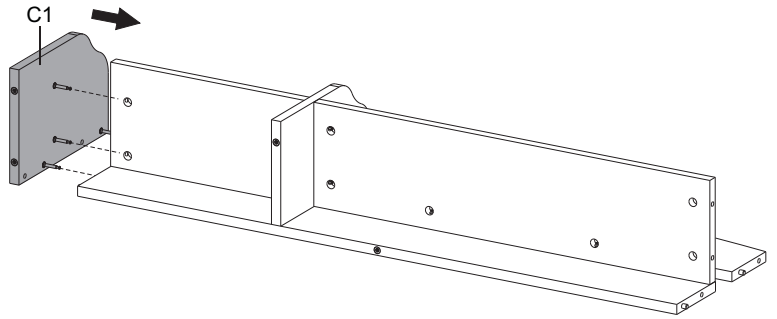


6

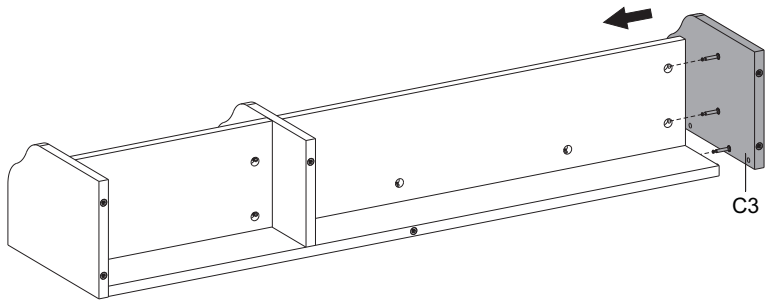




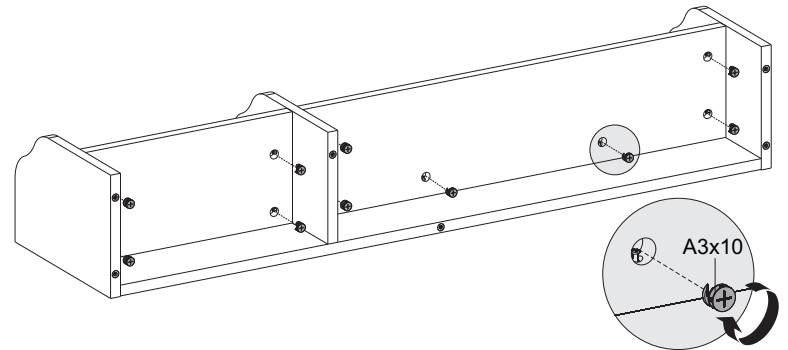
7



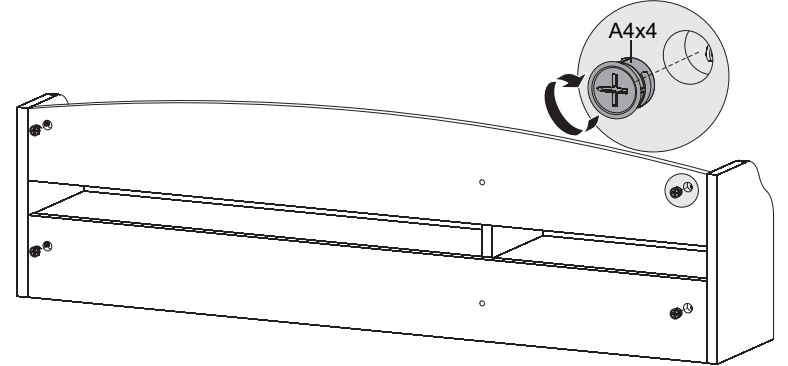
8



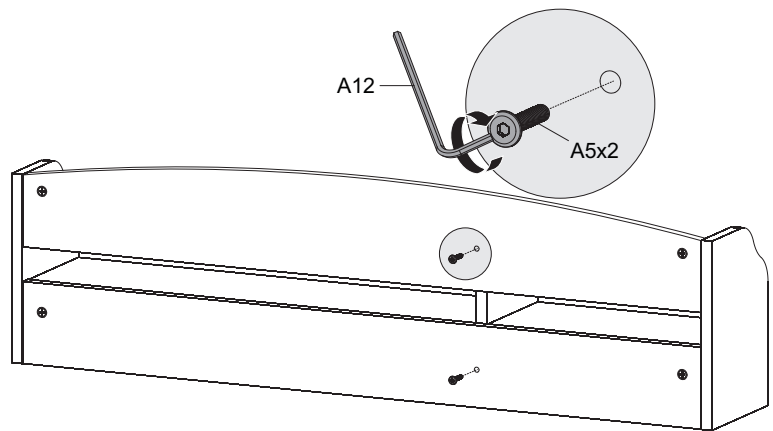
9



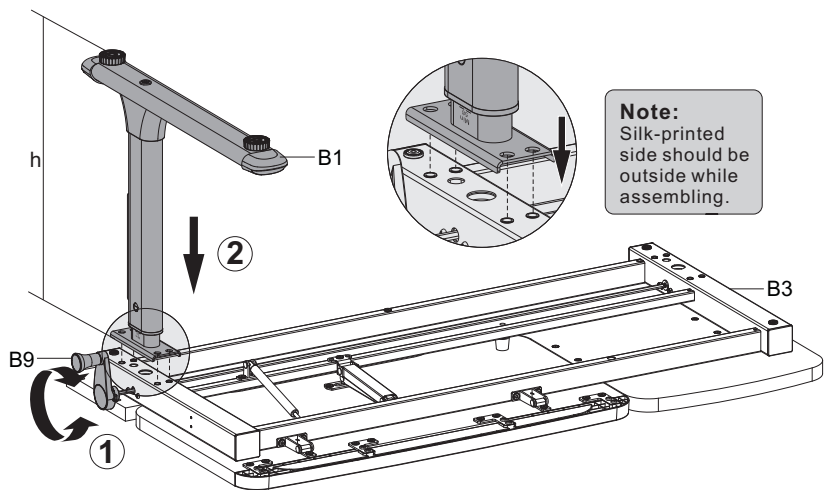
10



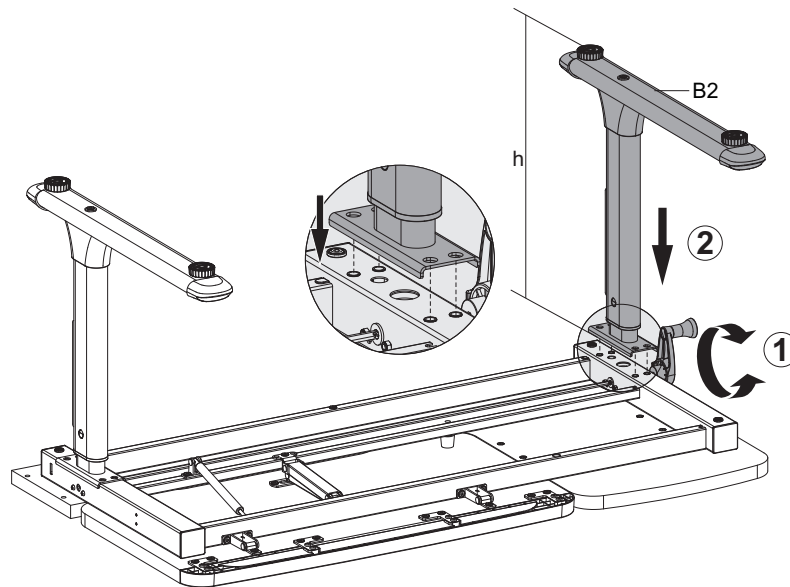
11



12

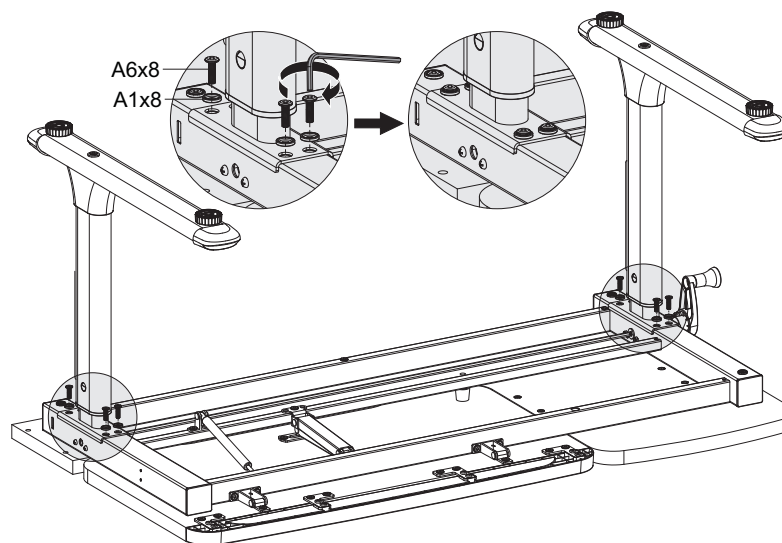


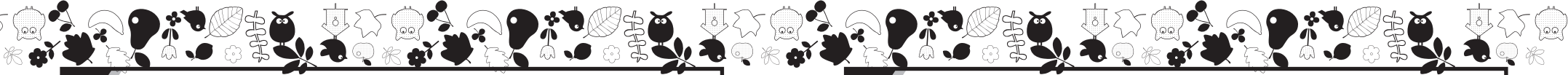
13



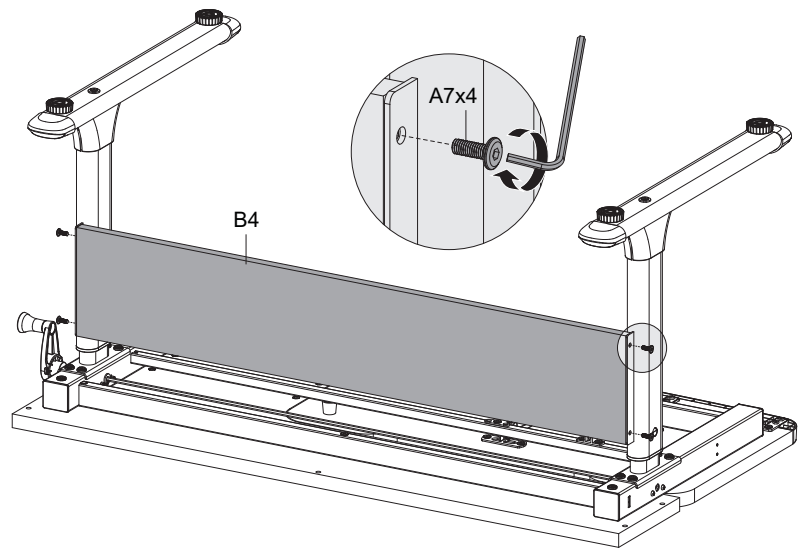
14

Note: Do not fasten the screws, leaving about 2mm of exposed thread.

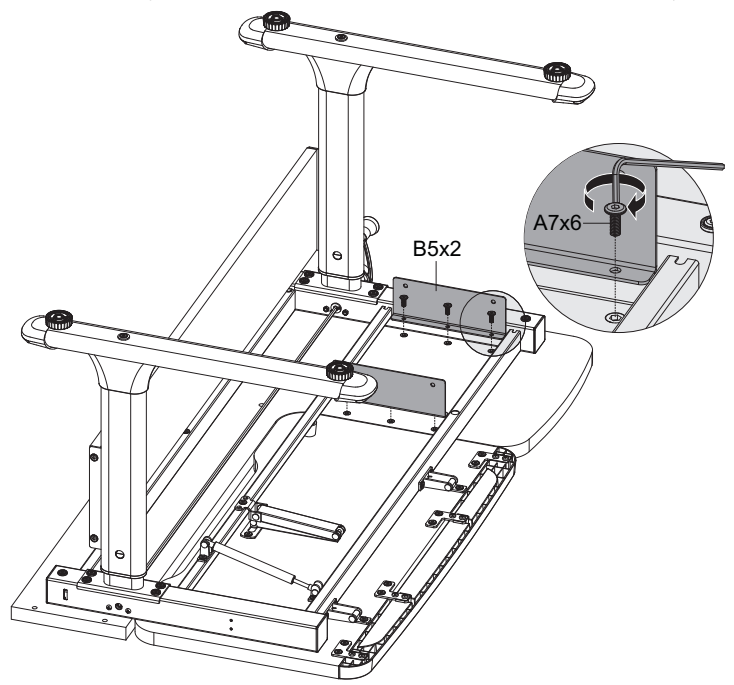




15

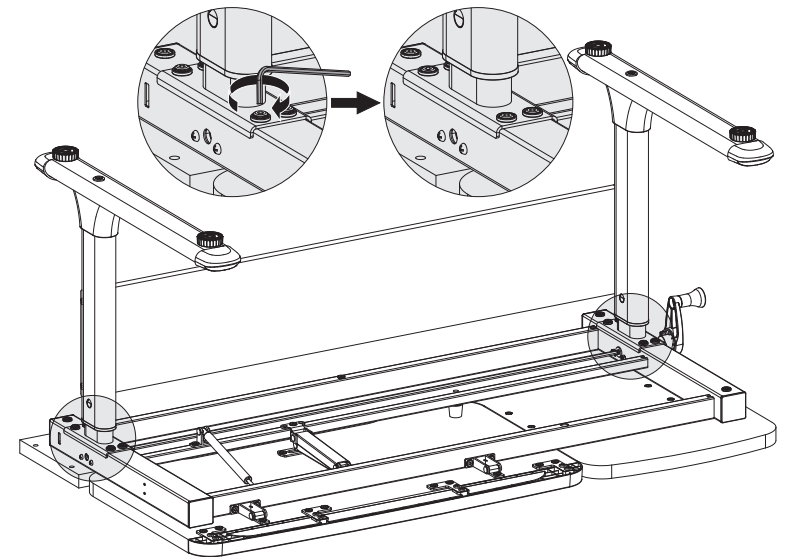


17

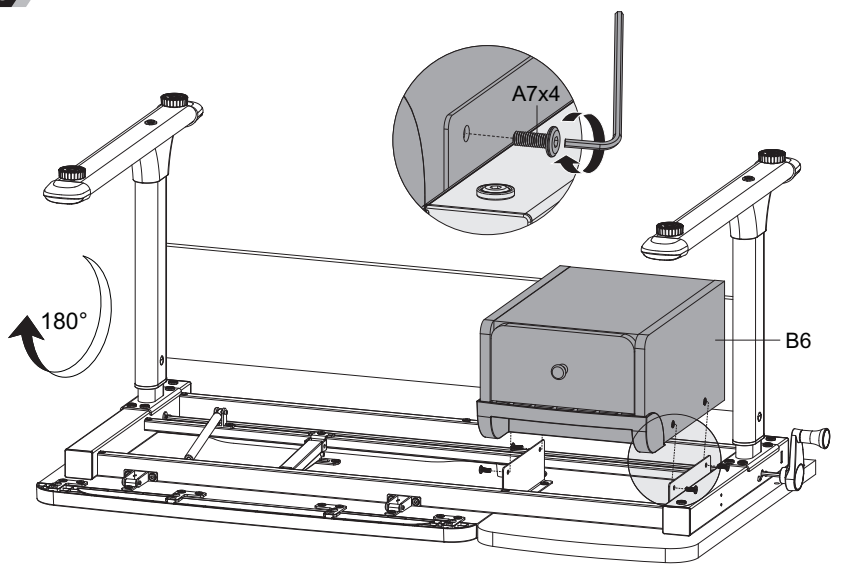


16

Note: Then fasten all screws.

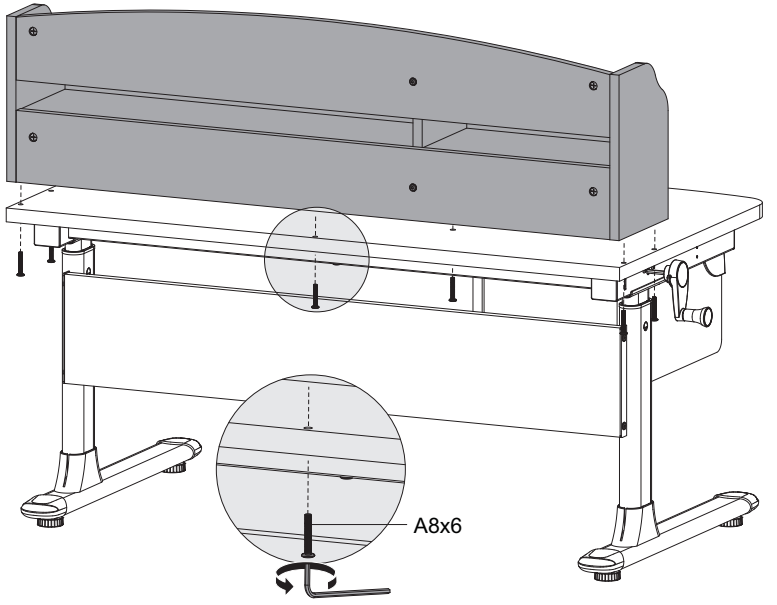


18

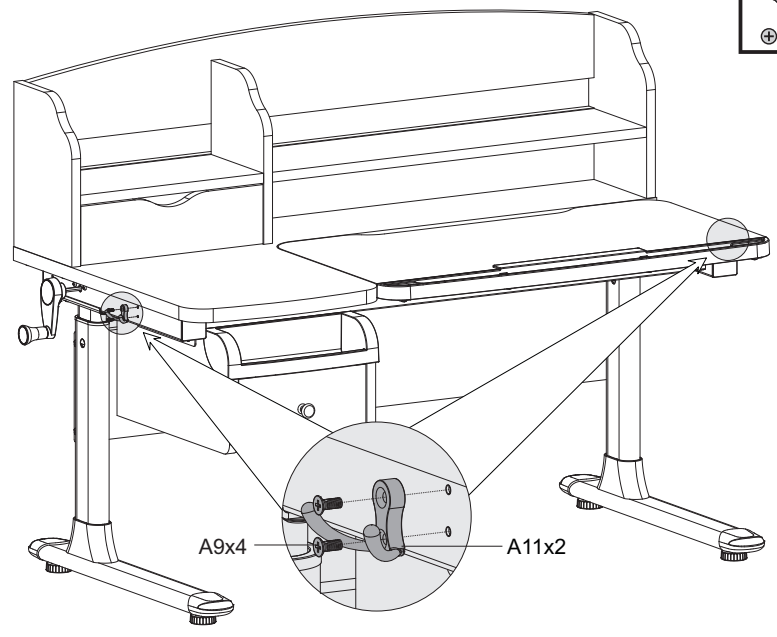




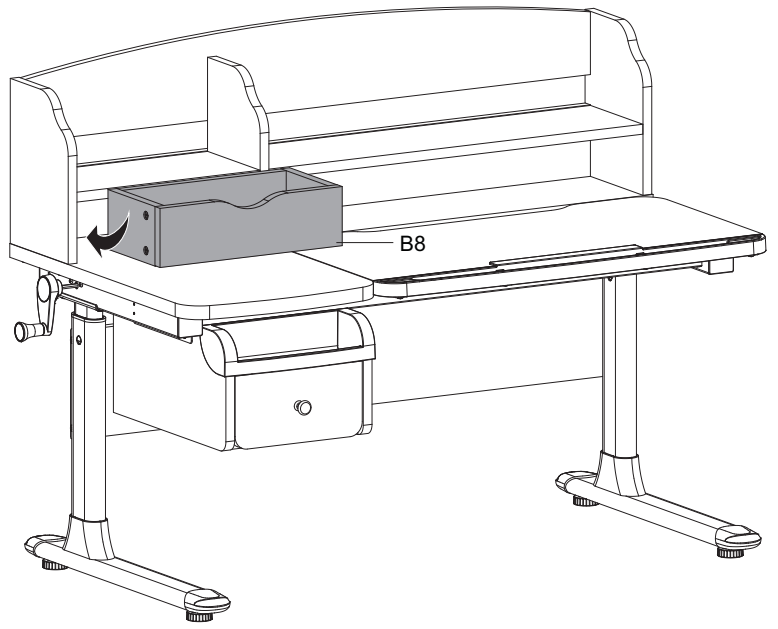
19



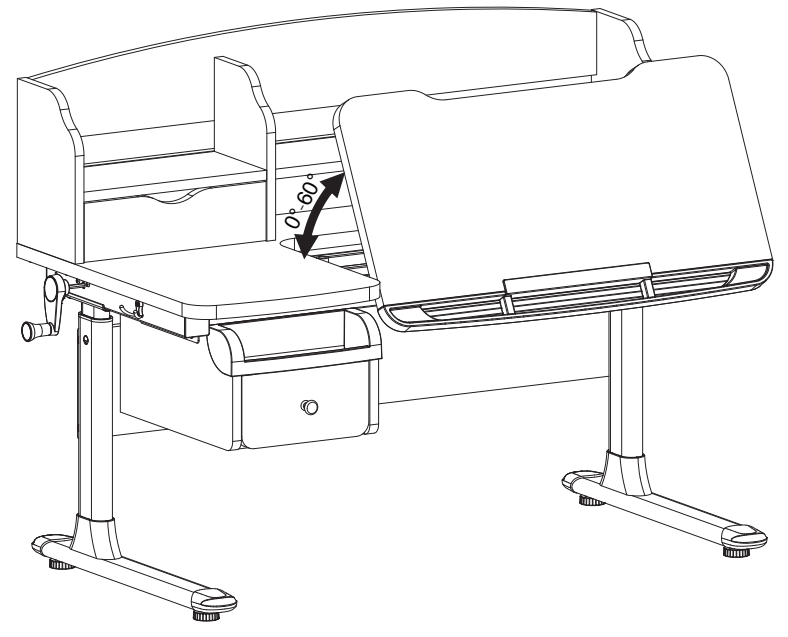
21



20



22





23



min580-max800mm

24

