



Assembly demonstration video

Gamdias Multifunction PC Gaming Chair

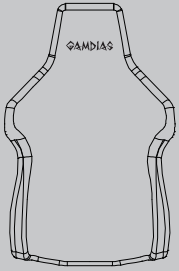


# GAMDIAS

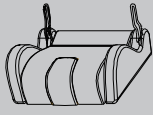
GAMING ART IN MOTION



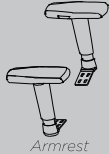
## Package Contents



Seat Back

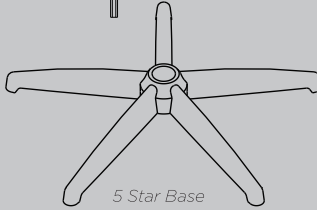


Seat



Armrest

Tool



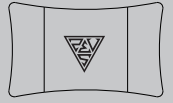
5 Star Base



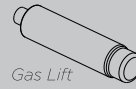
Seat Back Bolts x4



Casters x5



Head Pillow

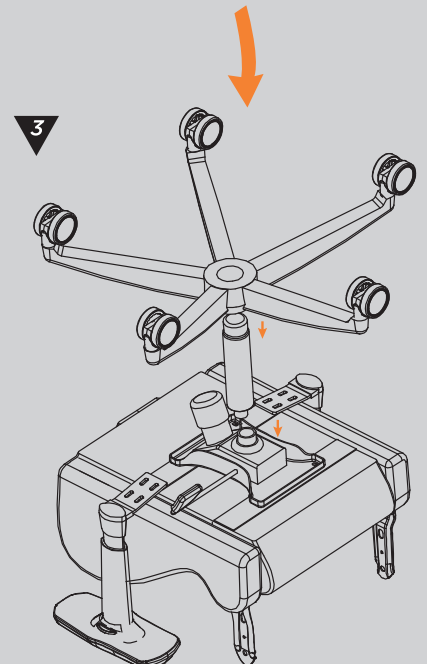
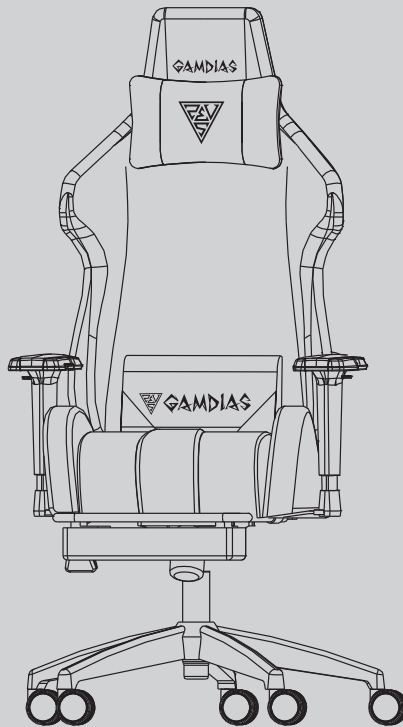
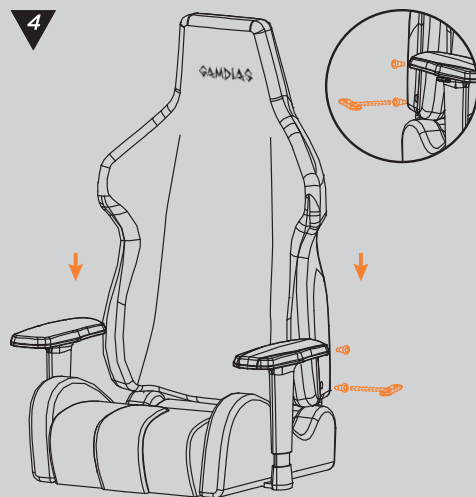
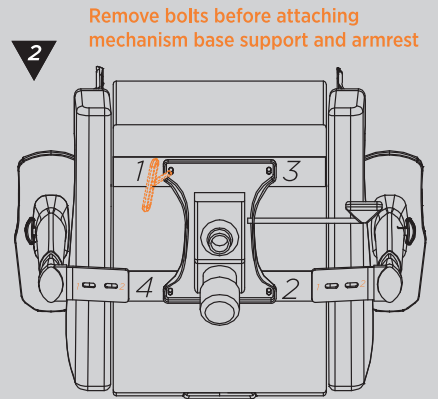
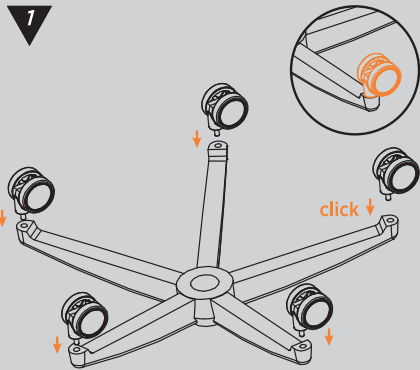


Gas Lift



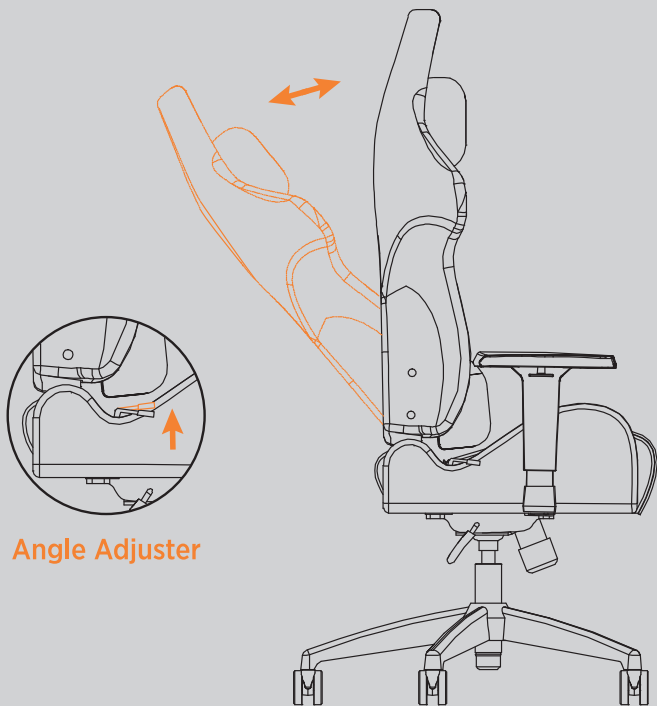
Lumbar Support Pillow

## Assembly Instruction

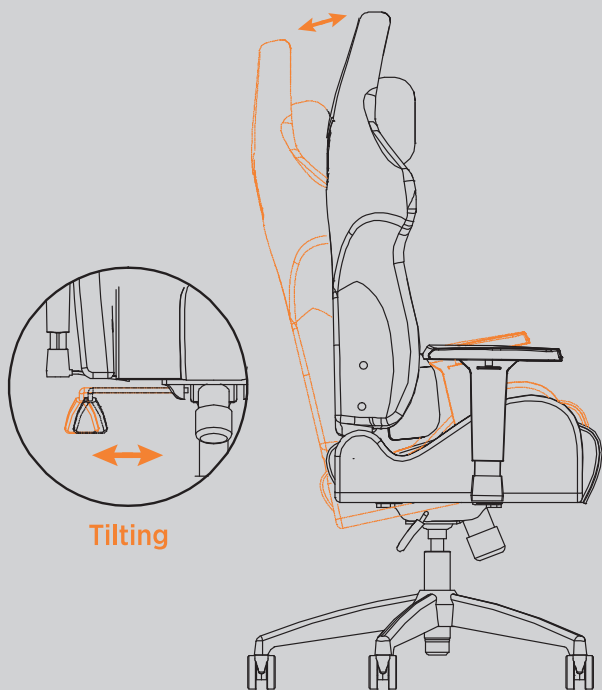


Please keep the serial number of your chair for service use when contacting us at [gdservice@gamdias.com](mailto:gdservice@gamdias.com)

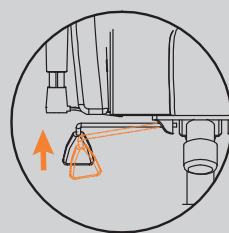
# FEATURE DEMONSTRATION



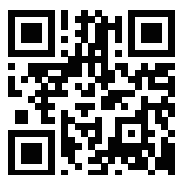
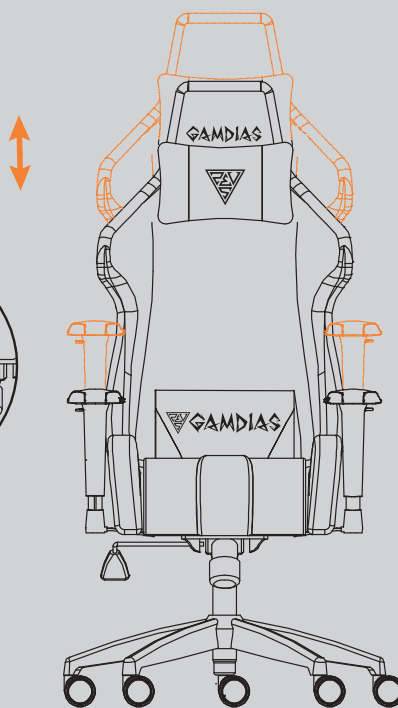
Angle Adjuster



Tilting



Height Lifting



**GAMDIAS Technology Co., Ltd.** [www.GAMDIAS.com](http://www.GAMDIAS.com)  
7F, No.113, Jian 2nd Rd., Jhonghe Dist., New Taipei City 23585, Taiwan (R.O.C.)

© 2017 GAMDIAS Technology Co., Ltd. All rights reserved. All GAMDIAS trademarks and logos are registered trademarks of GAMDIAS Technology Co., Ltd. All other trademarks and logos presented in this material are the property of their respective owners. GAMDIAS Technology Co., Ltd. reserves the right to revise the specifications mentioned on this packaging.

*Designed by GAMDIAS in Taiwan, Made in China*